

## TWM-3885

### Wireless Conventional Coordinator

Teknim TWM-3885 Conventional Coordinator is an interface device that enables wireless devices to be operated with conventional fire alarm panels. The Wireless Conventional Coordinator module, which can work in full compatibility with all brand and model conventional fire panels by using the desired end of line resistor, processes the signals it receives from all wireless devices and enables the warning and notification functions in the control panel.



EN 54-18

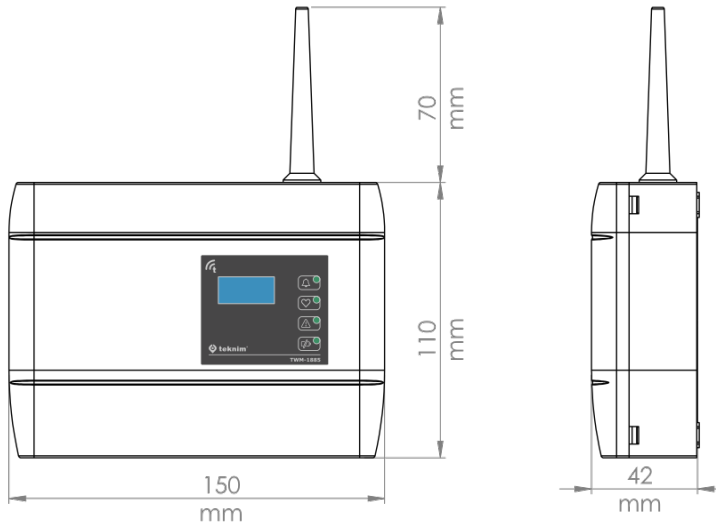
EN 54-25

### General Features

- EN 54-18 and EN 54-25 Certified
- Fully Compatible with All Brand Conventional Panels
- Fully Wireless or Hybrid System design Options
- Easy and Fast Installation, Commissioning and Usage
- Support for 31 Wireless Devices per Coordinator (26 Device and 5 Repeater)
- Approx. 500mt Wireless Coverage (Open Area)

### Technical Specifications

	<b>TWM-3885</b>
Supply Voltage	18Vdc – 35Vdc
Average Current Consumption	15mA (@24Vdc)
Operating Frequency	868 MHz
Output Power	14 dBm (25 mW)
Communication Distance	500 m (open area)
Number of Channels	10
Total Number of Connectible Devices	31 (Repeaters and other devices)
Number of Repeaters That Can be Connected Consecutively	5
Number of Repeaters That Can be Connected to a Coordinator Side-by-Side	5
Humidity	95% RH (max.)
Operating Temperature	-10°C ~ +55°C
Size (mm)	150 mm x 110 mm x 42 mm + 70 mm Antenna
Housing Material	White, ABS Plastic
Cross-section of the Cable Used	0.8mm <sup>2</sup> ~ 1.5mm <sup>2</sup>
Weight	185 gr



Teknim Elektronik SAN. ve TİC. A.Ş

Dudullu Organize Sanayi Bölgesi 1.Cadde İsmet Tarman İş Merkezi No:1/32 Ümraniye-İSTANBUL

P: +90 (216) 455 88 46 - sales@teknim.com  
www.teknim.com