

TFP-21XX

1-2-4 Loop Intelligent Addressable
Fire Alarm Panel with Zone
Indicators



TFP-213X

1-2-4 Loop Intelligent Addressable
Fire Alarm Panel with Zone
Indicators and Built-in Printer



EN 54-2

EN 54-4

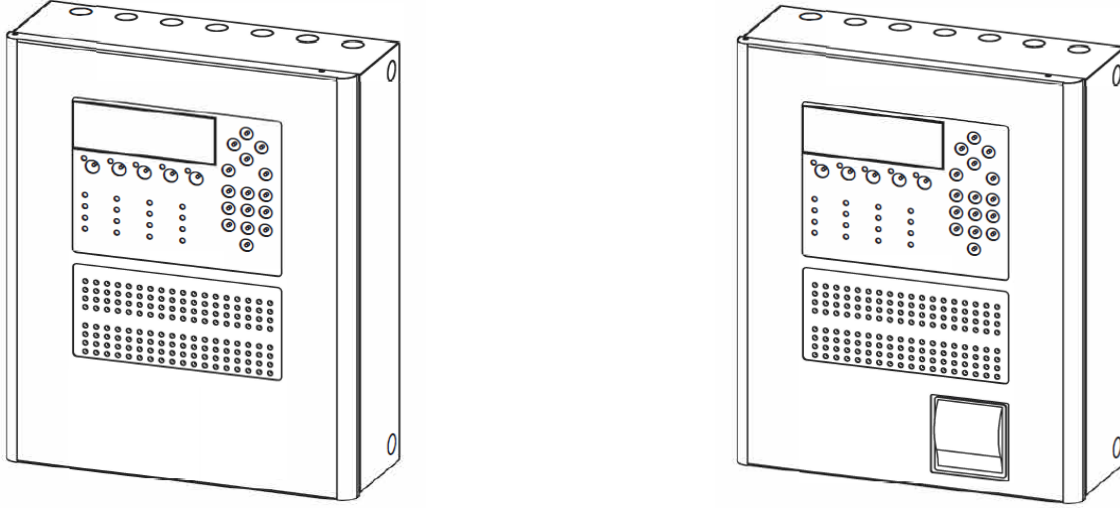
The TFP-211X comes with a built-in LCD graphic display for understanding error and alarm notifications and easily configuring all settings. The panel is capable of displaying alarms, faults, disabled zones, and test statuses through LED indicators, supporting up to 72 zones.

The TFP-213X supports a time-stamped internal thermal printer for record printing.

The TFP-211X and TFP-213X Fire Alarm Panels are designed in accordance with European Standards Certificates supporting EN 54-2 and EN 54-4.

The TFP-211X series Intelligent Addressable Fire Alarm Panels use the unique FLASHLINK protocol developed by Teknim engineers for loop communication. 1 and 2 loop panels support 240 devices per loop. 4 loop panels support 127 devices per loop. Up to 16 panels can be networked with other Teknim panels. The metal casing ensures stable and reliable operation in challenging conditions.

TFP-211X also supports a built-in LAN network connection. It allows for local or remote configuration and monitoring through Mozaic Web or Local software. Additionally, the panel can be remotely monitored and configured using the Teknim Cloud-Based Mobile Application.



Genel Features

- Technical personnel friendly easy installation and programming features
- Ability to print alarm, error, and warning logs with built-in printer
- 1-2 and 4 Loop capacity
- Up to 2.5 km cable distance per loop
- 240 device addressing capacity per loop, total of 480 device addressing
- 72 zones that can be programmed separately
- Total capacity of up to 7,680 addressed devices and 1,152 zones according to network structure (using optional TFC-1209 Network module)
- 72 LED indicators showing alarms and faults by zone
- Easy-to-read, 240*64 wide LCD graphic display and user-friendly interface
- Customizable screen with company logo, contact information, images, etc. (with Mozaic Software)
- Network structure based on RS-485 with TdNET communication protocol developed by Teknim engineers, expandable up to 16 panels and can operate as a single system (using optional TFC-1209 Network module)
- Each panel on the network can be connected to each other with cables up to 1 km in length (0,8mm²)
- With the peer-to-peer communication network feature, all panels have equal accessibility and command transmission.
- Seamless and reliable data communication between endpoints and loop card over power line thanks to FlashLink[®] communication protocol developed by Teknim
- Advanced panel programming and user-friendly system configuration with Mozaic software installed on the computer connected to the panel via TCP/IP Ethernet (LAN/WAN)
- Graphical monitoring of a single panel or a network of up to 16 panels on a map and management of features such as evacuation, reset, and siren/buzzer silence with Mozaic monitoring software specially developed by Teknim software engineers
- Remote panel monitoring and management with TFP-1240/TFP-1245 ANALOG ADDRESSABLE REPEATER PANEL connection (1 km cable distance) (0,8mm²)
- • Storage of up to 12,000 alarms, errors, and warning events in memory with timestamp.
- • Identification of possible points of disconnection on the line with bidirectional, intelligent loop control feature.
- • In case a device is removed from the loop and reconnected, the missing device alert is quickly and automatically reset on the panel without the need for any other action.
- 4 independent and delay-addressable/traceable siren outputs. When used with Teknim TFS-3192 siren, connection of up to 120 sirens without the need for external power supply.
- Detailed display of voltage/current information of the panel and loop on the panel's graphic LCD screen.
- Automatic or user-programmable night/day operation mode for alarm verification.
- Individually programmable siren delay time for each zone.
- Automatic detection of devices connected to the system, providing information to the user and issuing alerts on the LCD screen, and easy integration of devices into the system.
- Easy addition of new devices to the loop via star connection in case of mandatory requirements for the project.
- Multi-language support.

Technical Specifications

	TFP-21XX
Supply	
Voltage	230 / 110 VAC (+10% / -15%)
Frequency	50 / 60 Hz ($\pm 5\%$)
Mains Input Fuse	6A
Output Voltage	21 – 29 VDC $\pm 2\%$
Output Fuse	6A (F1)
Cable Type	3 x 1.5mm ² (Phase, Neutral, Earth)
Backup Supply	2 x 12V, 7Ah (Recommended: Yuasa NP7-12, 12V7Ah) 2 x 12V, 12Ah
Backup Supply Cut-Off Voltage	20,5 VDC
Backup Supply Internal Resistance Fault	Rimax = 2,2 ohm
Maximum Current Drawn from Backup Supply	3A when the main power supply is not connected
Backup Supply Fuse	6A (F2)
Charging Voltage	27.6 VDC @20°C, temperature compensated
Charging Current	500mA (resistor limited)
Imin	TFP-2111, TFP-2131 – 130mA (1 Loop) TFP-2112, TFP-2132 – 180mA (2 Loop) TFP-2114, TFP-2134 – 280mA (4 Loop)
ImaxA	1A
ImaxB	1,5A
Outputs	
Monitored Sounder Outputs	4 units 24VDC Typ. (Range 18Vdc – 27.6Vdc) - (TFP-211x and TFP-213x)
Sounder Fuse	500mA (F6, F7, F8, F9)
Sounder End of Line Resistor	4K7 ohm, $\pm 5\%$, 1/4W
General Fault and Fire Relay	2 units
General Fault Relay	1 units NC/NO dry contact, 30V, 2A
Fire Relay	1 units NC/NO dry contact, 30V, 2A
Auxiliary Output (AUX)	1 units 24VDC Typ. (Range 18Vdc – 27.6Vdc)
Auxiliary Output (AUX) Fuse	1 adet 500mA (F4)
Programmable Auxiliary Output (PAUX)	1 adet 24VDC Typ. (Range 18Vdc – 27.6Vdc) - (TFP-211x, TFP-213x)
Programmable Auxiliary Output (PAUX) Fuse	1 adet 500mA (F5)
Programmable Relay (PRELAY)	1 adet NC/NO dry contact, 30V, 2A (TFP-211x ve TFP-213x)
Cable Type	2 x 0,8mm ² J-Y(St)Y...Lg 2 x 1,5mm ² J-Y(St)Y...Lg (Recommended)
Loop Information	
Number of Devices	240 units (maximum) for 1 or 2 loops 127 units (maximum) for 4 loops
Output Voltage	32 VDC $\pm 10\%$
Cable Length / Cross-Sectional Area	1000m 0,8mm ² cross-sectional area (@250 mA) 2000m 0,8mm ² cross-sectional area (@75 mA) 1500m 1,0mm ² cross-sectional area (@250 mA) 2500m 1,5mm ² cross-sectional area (@250 mA) 3000m 2,5mm ² cross-sectional area (@250 mA)
Repeater Panel Connection	
Output Current	500 mA (Maximum)
Output Voltage	24 VDC Typ. (Range 18Vdc – 27.6Vdc)
Cable Length	1 km / 4 x 0,8mm ² J-Y(St)Y...Lg (Recommended)
Environmental Conditions	
Temperature	-10°C ~ +55°C (14°F ~ 131°F)
Humidity	95% RH (Maximum)
IP Rating	IP30
Physical	
Color	RAL7035 TEXTURE
Dimensions (H x W x D)	490 x 385 x 144 mm
Weight	8,40kg (without battery) (TFP-211x) 9,95kg (without battery) (TFP-213x)