

# TFB-3168

## Conventional Manual Call Point with Led, Resettable Installation & User Manual



Release Date: 17/04/2024

Rev. Date: 19/11/2024 - Rev. No:00

Doc. Ref.: HM.Z.KLV.8178

### GENERAL

- ✓ Read this manual carefully before operating the equipment and save it for future reference.
- ✓ Observe all warnings and precautions specified in the operating instructions. Follow all operating and usage instructions.
- ✓ Keep devices away from water and moisture.

### SERVICE AND MAINTENANCE

Do not try to fix the device on your own, removal of cover may end up with electricity shock. In case of any defect or malfunction, contact with your dealer or with authorized service. All the technical interventions has to be done by technicians of service company. Device must be cleaned up with a dry fabric. No-chemicals are allowed for cleaning.

**Warning:** Do not attempt to remove the electronic board from its plastic case. The electronic board is closed for your safety. Users should avoid from interference.

### MALFUNCTIONS THAT REQUIRE TECHNICAL SERVICE

In the event of any malfunction or in the following cases, contact your authorized service or dealer.

- ✓ When the power cord is damaged,
- ✓ When any liquid flows into the device or any object falls,
- ✓ When exposed to water or rain,
- ✓ If the device has been dropped or the housing has been damaged,
- ✓ If the device has noticeable performance changes,
- ✓ If the device does not operate normally according to the operating instructions specified in the installation manual,

Contact with your authorized service in such terms.

### TRANSPORTATION AND SHIPPING

The device must be handled carefully so that it is not exposed to any external impact and does not allow any liquid to enter. Malfunctions during improper handling are not covered by the warranty.

### HUMAN AND ENVIRONMENTAL HEALTH

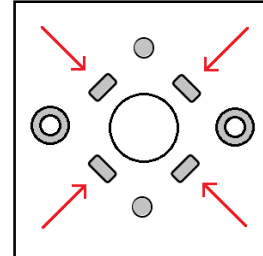
This device does not contain any chemical or biological substances that may harm human health.

\* 2012/19/EU (WEEE directive): Products marked with this symbol cannot be disposed of as unsorted municipal waste in the European Union. For proper recycling, return this product to your local supplier upon the purchase of equivalent new equipment, or dispose of it at designated collection points. For more information see: [www.recyclethis.info](http://www.recyclethis.info).

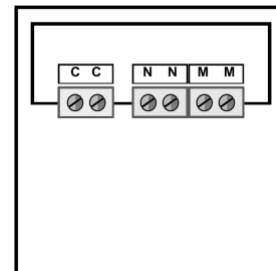


### Mounting and Connection

1. Mount the fire cable on the wall in such a way that it passes through the channeled base. Be careful not to overtighten the mounting screws.



2. There is an internal 470 ohm resistor between the **C** and **N** terminals, and an internal 100 ohm resistor between the **C** and **M** terminals, and there is no need to connect additional 470 ohm and 100 ohm resistors for the connection. You need to connect the + (positive) cable from the Conventional Fire Alarm panel to the **N** or **M** terminal, and the - (negative) cable to the C terminal.



1922

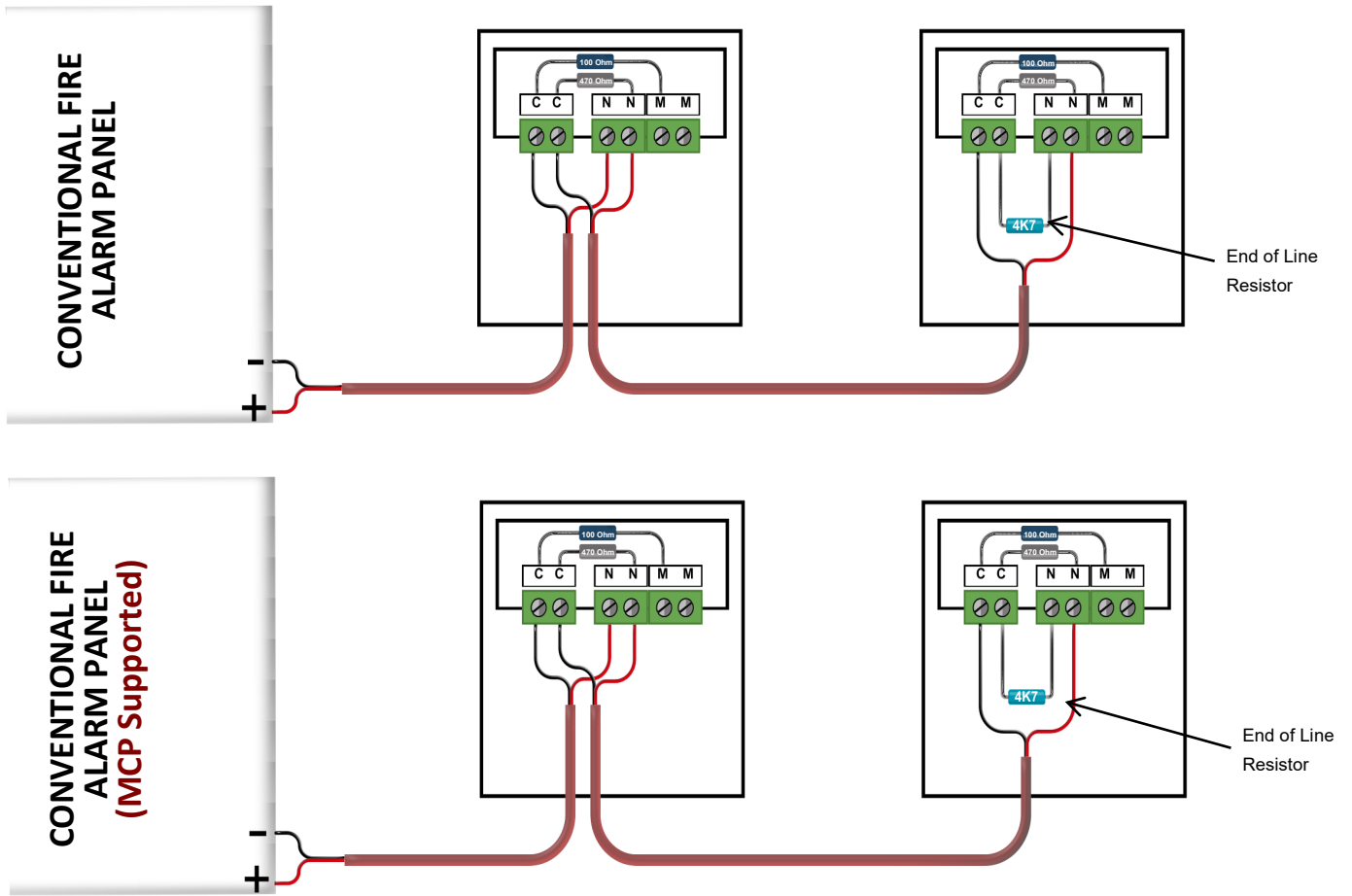
24  
1922-CPR-2292

EN 54-11:2001, EN 54-11:2001/A1:2005  
Manual Call Points

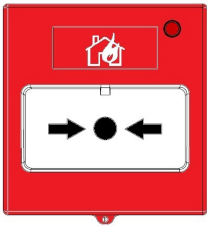
**TFB-3168**

Technical data: see BİLGİ-TEC-231212 held by the manufacturer.

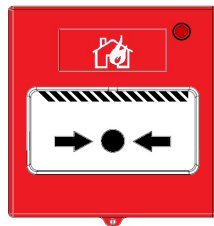
3. At the end of the line, connect the end of line resistance according to the brand and model of the Conventional Fire Alarm Panel which you are using.



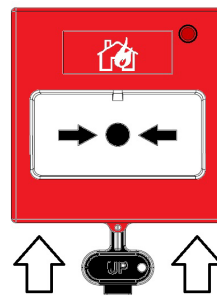
### Test



1 ) In the first case press in the middle point of Manual Call Point.



2 ) Alarm condition observed on the Manual Call Point. LED lights continuously in this position.



3 ) The key from inside the box is inserted and is pushed upwards and observed to be the first condition.

### Technical Specifications

Model	Nominal Operating Voltage	Supply Voltage	Quiescent Current / Alarm Current	Suitable Cable Thickness	Suitable Operating Temperature (°C), Moisture	Type of Breakable Feature, Usage Area	Body Material, Dimensions, Weight
TFB 3168	24 VDC	5-32 VDC	0 / 26mA (With LED)	Between 0.8 mm <sup>2</sup> to 2.5 mm <sup>2</sup>	-10°C ~ +60°C ≤93% @ +40°C	A, Closed Area Surface Mount	RED ABS 86x55x88mm 136 gr

### Manufacturer and Service

**Teknim Elektronik San. ve Tic. A.Ş.**  
Dudullu Organize Sanayi Bölgesi 1.Cadde İsmet Tarman İş Merkezi  
No:1 Daire:32 Ümraniye-İSTANBUL

**Telephone:** +90 216 455 88 46 **Fax:** +90 216 455 99 06

[www.teknim.com](http://www.teknim.com) [sales@teknim.com](mailto:sales@teknim.com) [support@teknim.com](mailto:support@teknim.com)